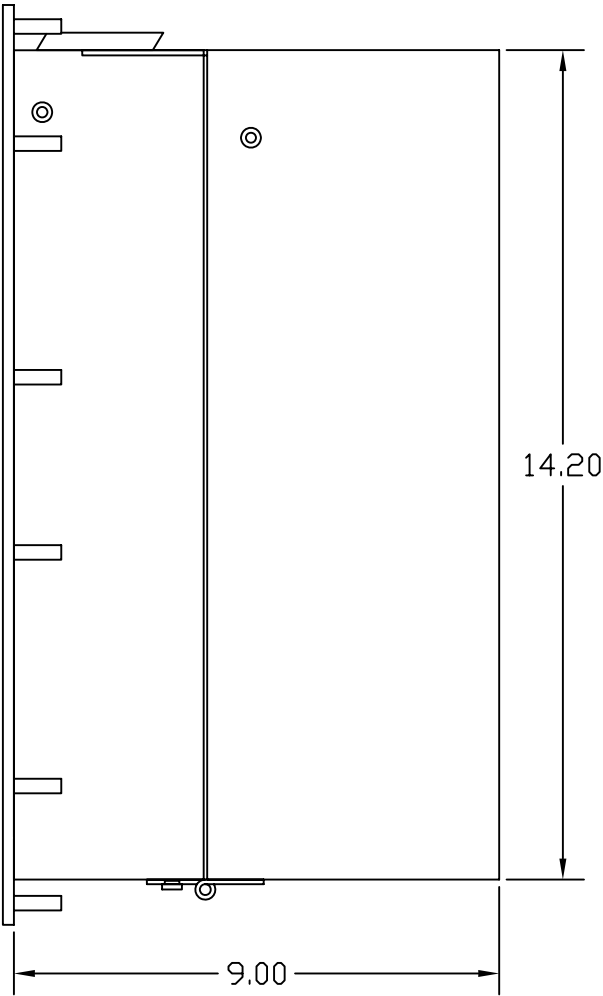
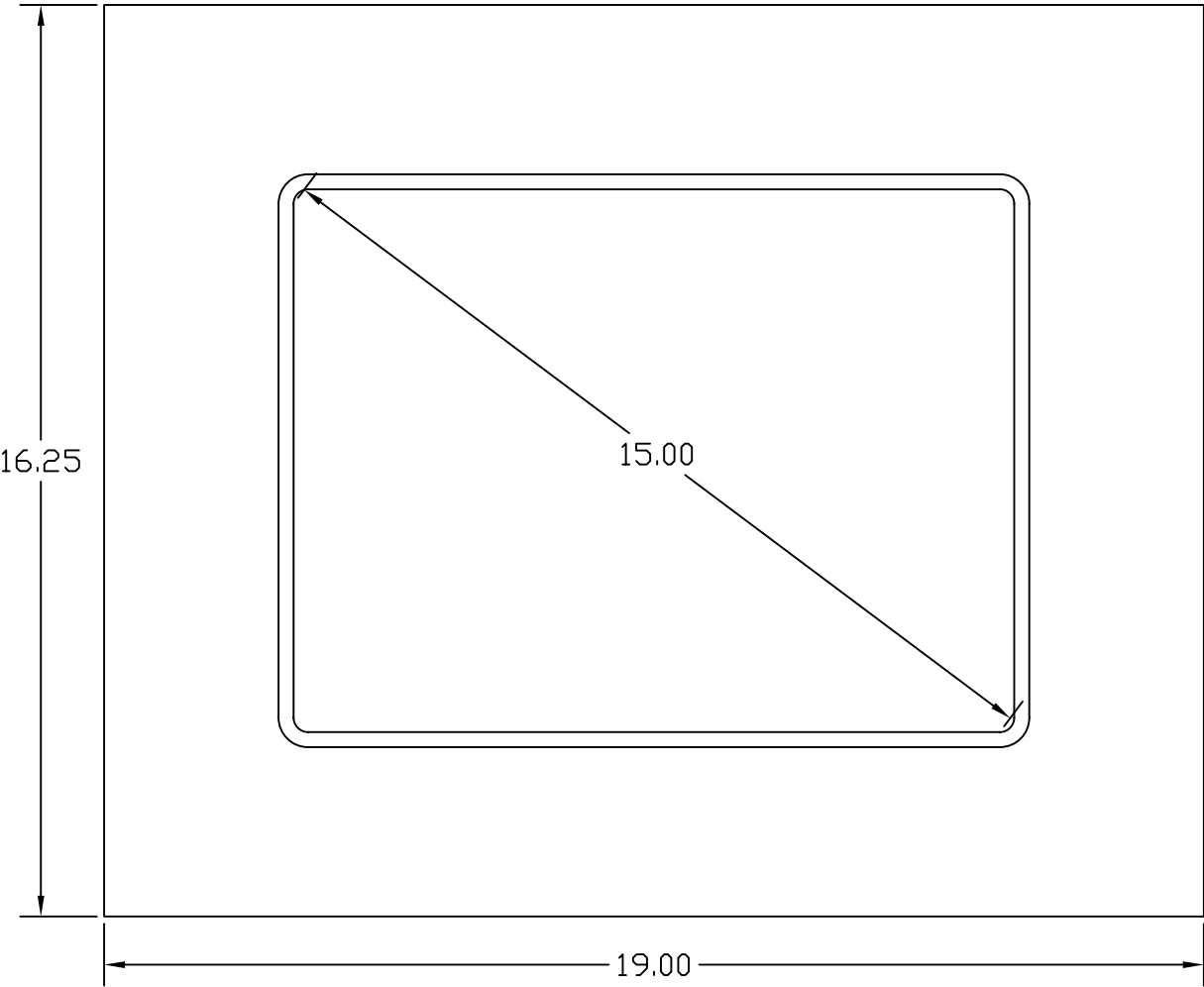


FPI1500 Series Panel Mount Dimensions



FPI1510-P Panel Cutout Drawing

