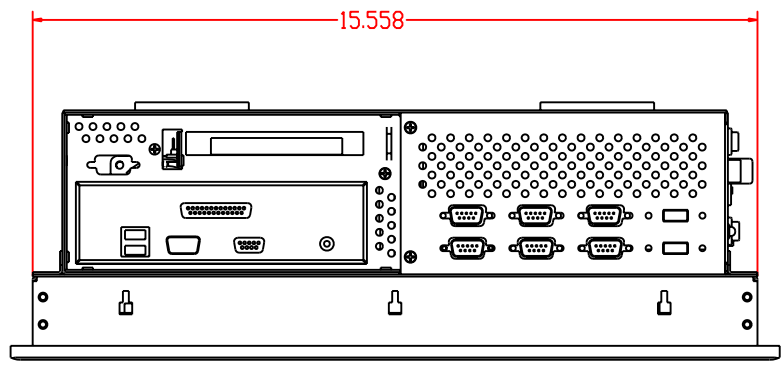
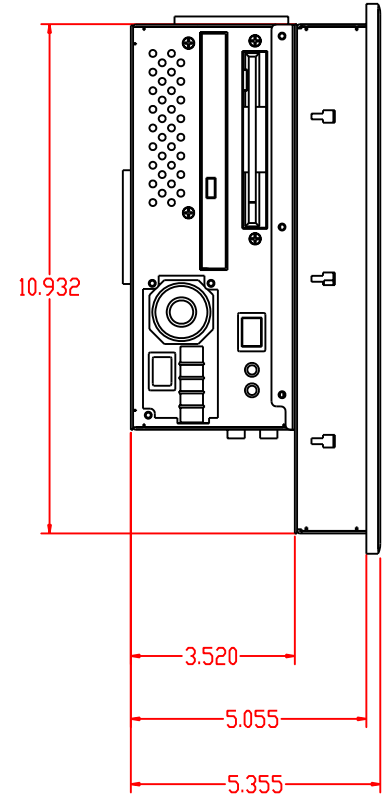
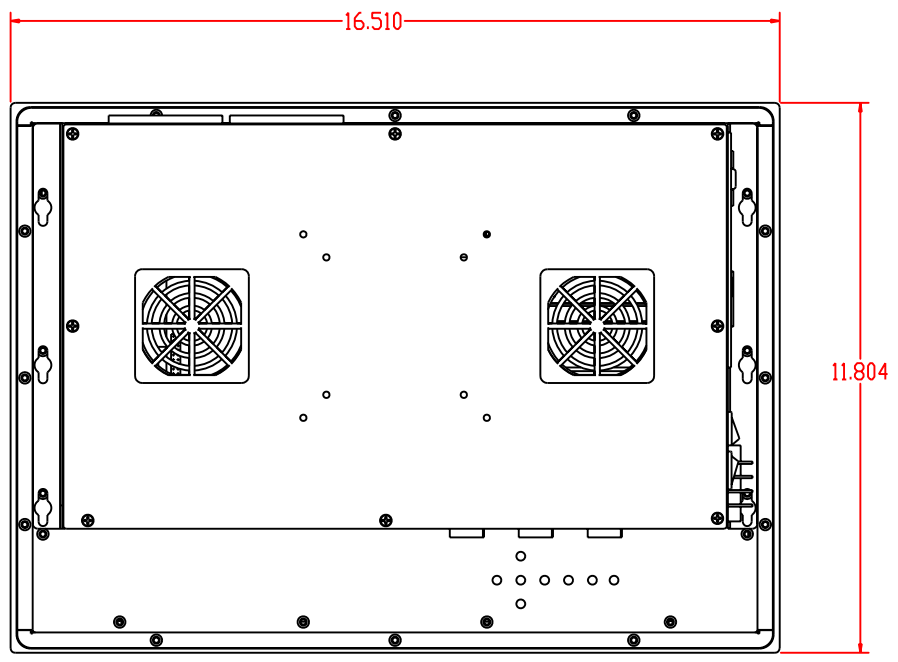


PARTS LIST			
ITEM	QTY	DESCRIPTION	FIG



Cutout Dimensions: 15.64"(W) x 11.00"(H)

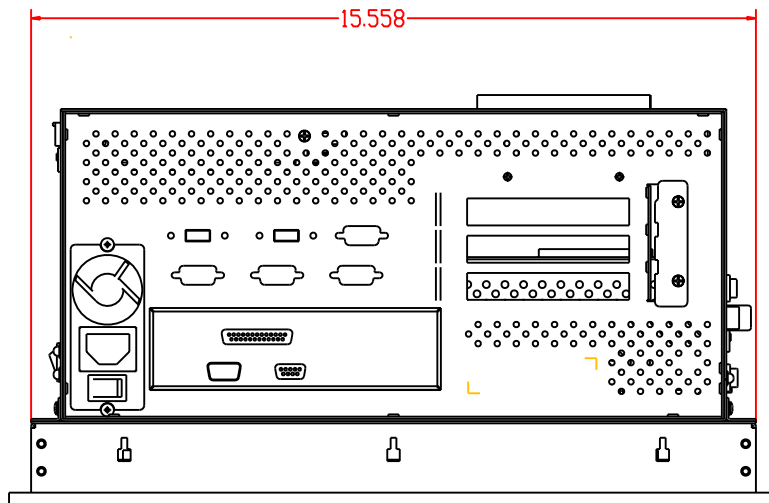
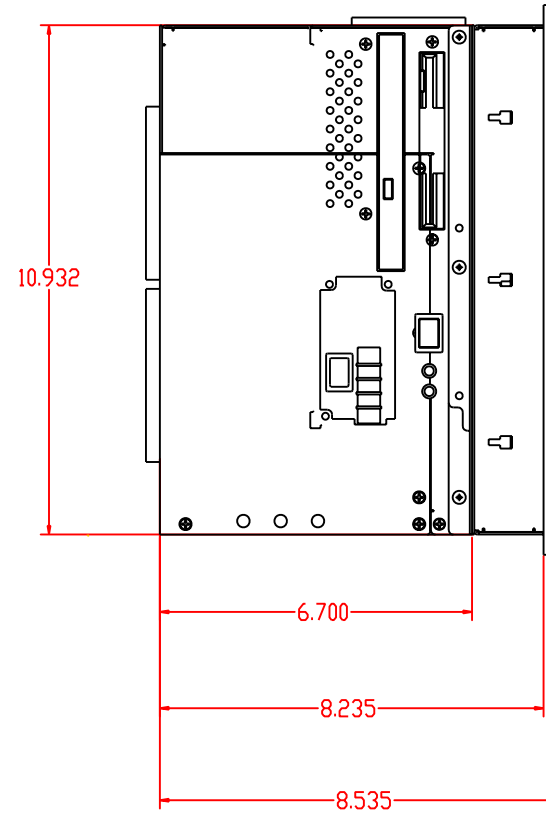
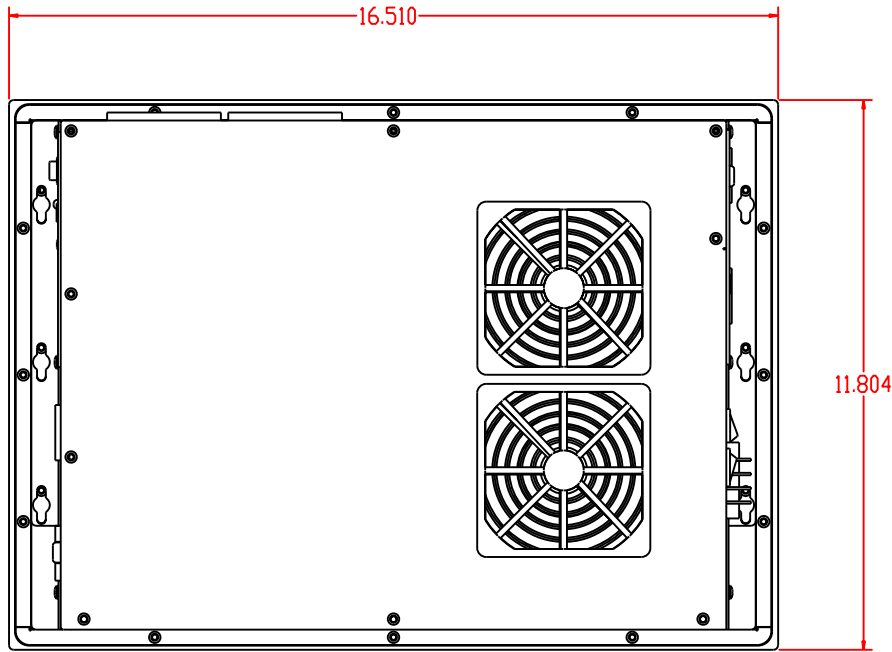
Nortech Engineering FPC1500 Series - 15" Single Slot Version

SCALE: 1:000

REV	DESCRIPTION	DATE	APPROVED

DRAWN ANGELA L DATE 07/20/07	TITLE C	PART NO AR03000AY-AR09650AY	REV 01
---	----------------	---------------------------------------	---------------

PARTS LIST			
ITEM	QTY	DESCRIPTION	FIG



Cutout Dimensions: 15.64"(W) x 11.00"(H)

Nortech Engineering FPC1500 Series - 15" Triple Slot Version

REV	DESCRIPTION	DATE	APPROVE

