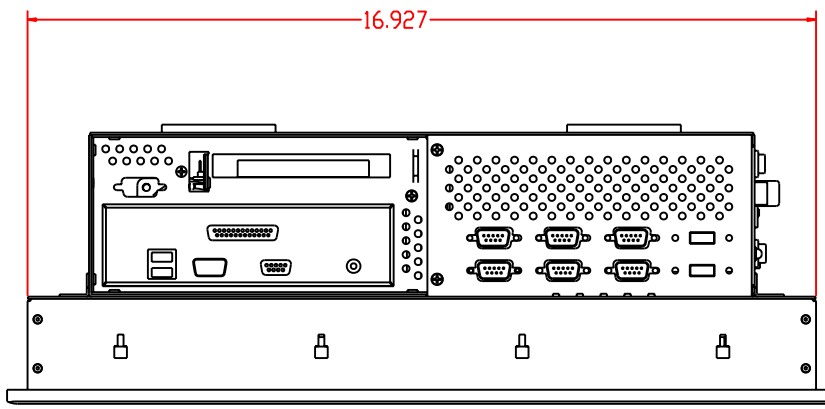
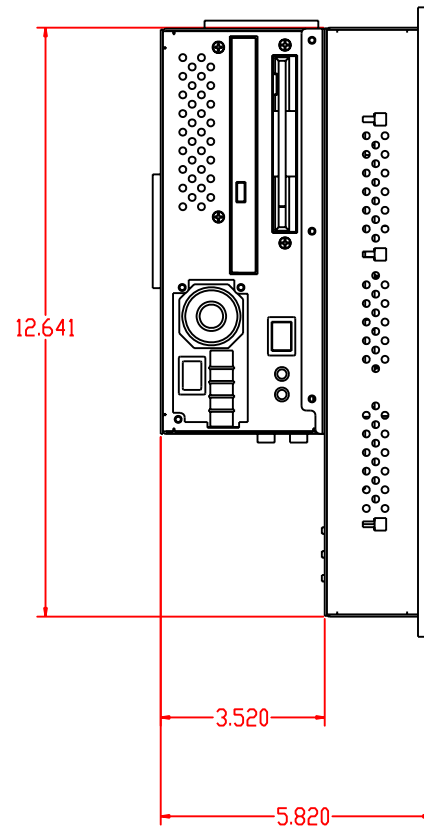
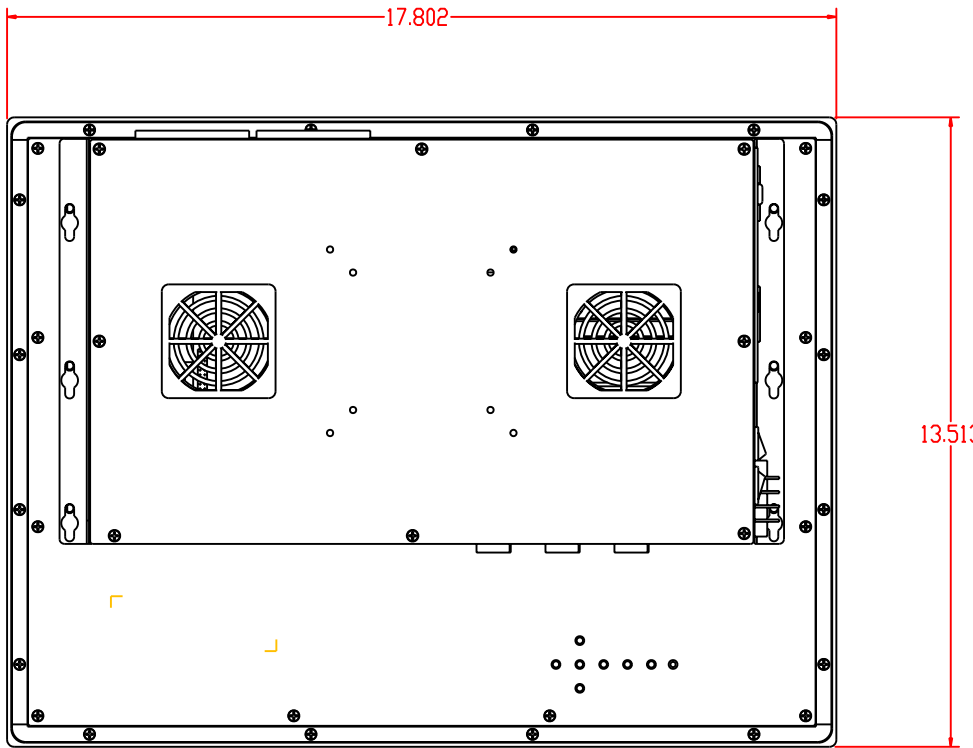


PARTS LIST			
ITEM	QTY	DESCRIPTION	FIG.



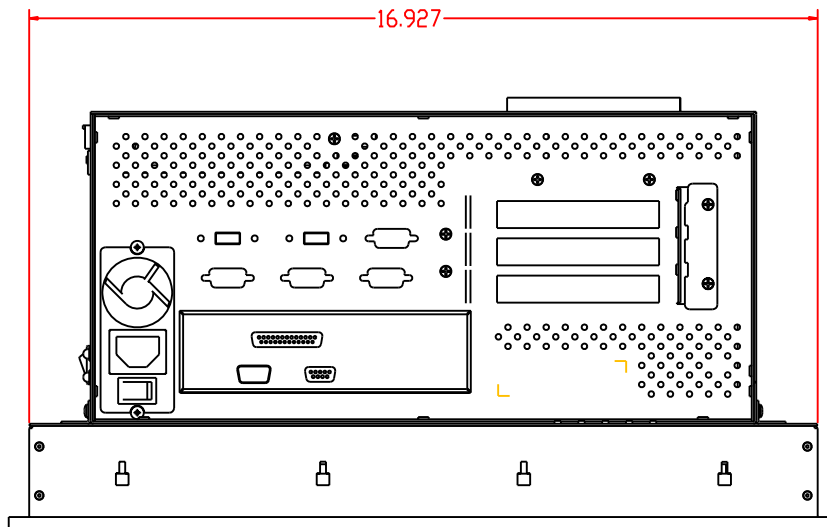
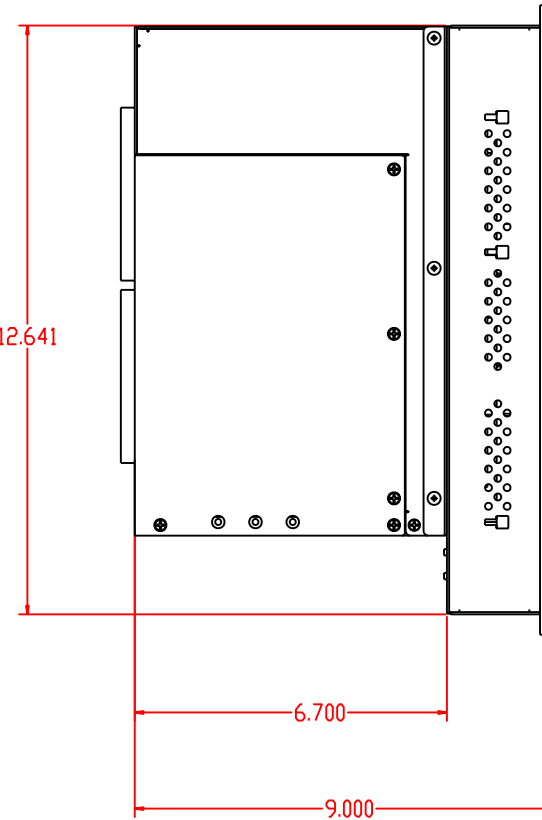
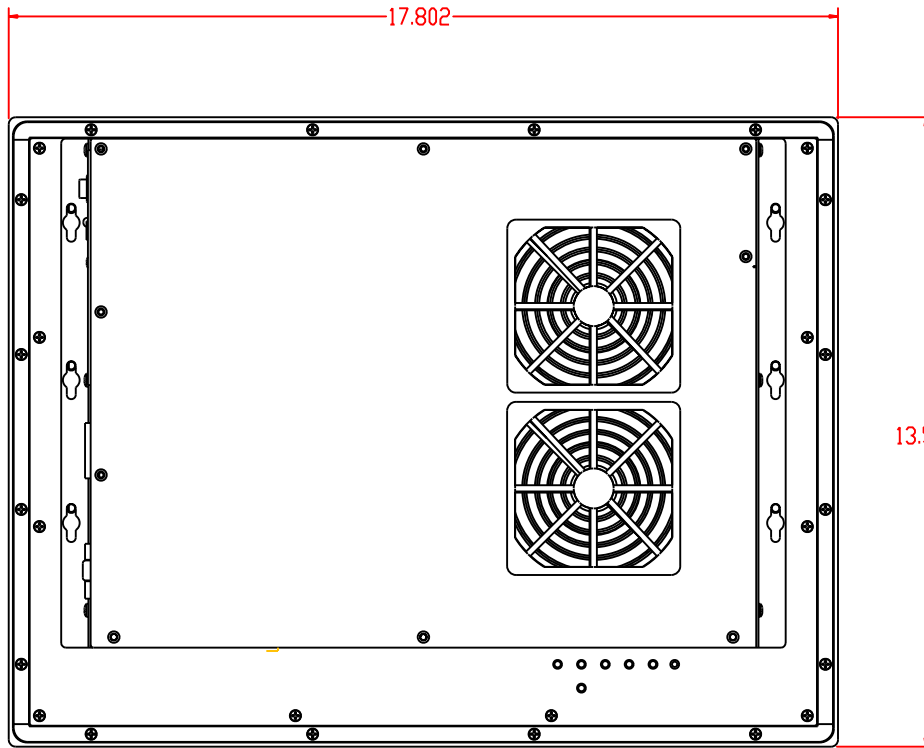
Cutout Dimensions: 17.00"(W) x 12.72"(H)

Nortech Engineering FPC1700 Series - 17" Single Slot Version

REV	DESCRIPTION	DATE	APPROVED

ANGELA L <small>DESIGNER</small>	[Signature] <small>DATE</small>	[Signature] <small>DATE</small>	[Signature] <small>DATE</small>
-------------------------------------	------------------------------------	------------------------------------	------------------------------------

PARTS LIST			
ITEM	QTY	DESCRIPTION	FIG



Cutout Dimensions: 17.00"(W) x 12.72"(H)

Nortech Engineering FPC1700 Series - 17" Triple Slot Version

REV	DESCRIPTION	DATE	APPROVED

ANCEL L 8/7/07	TITLE FPC1700	AR03500AY-AR09600AY	REV 01
-------------------	------------------	---------------------	-----------