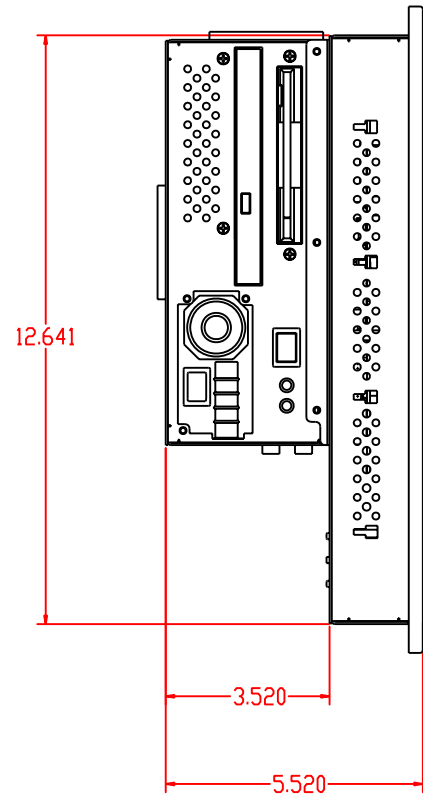
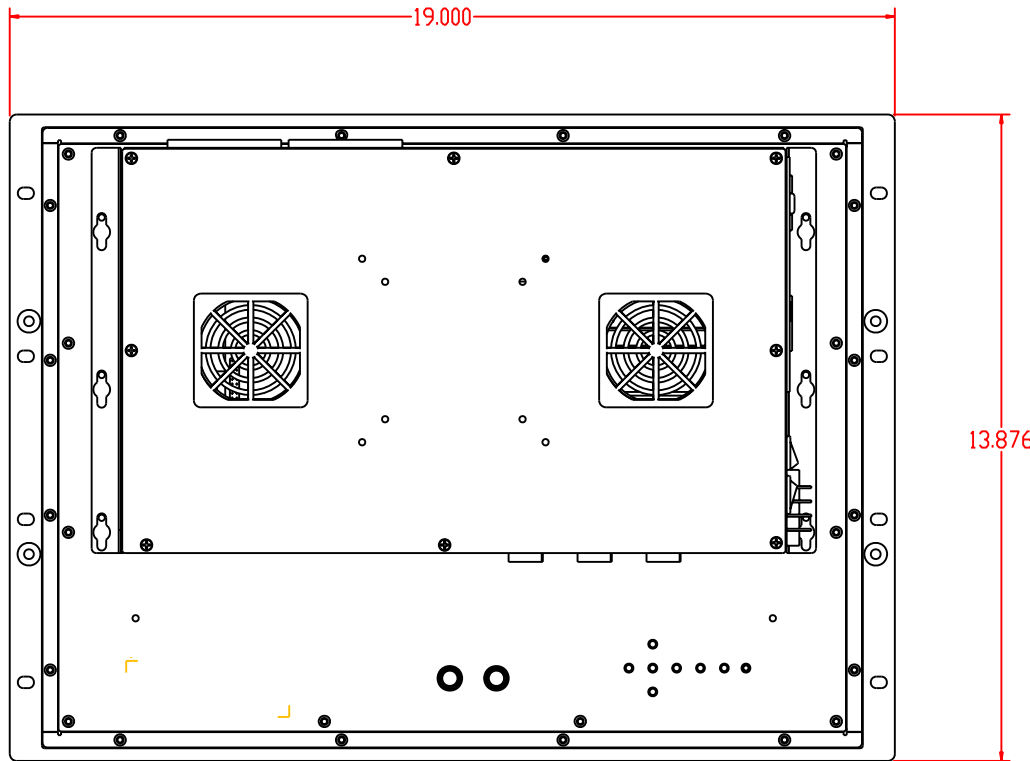
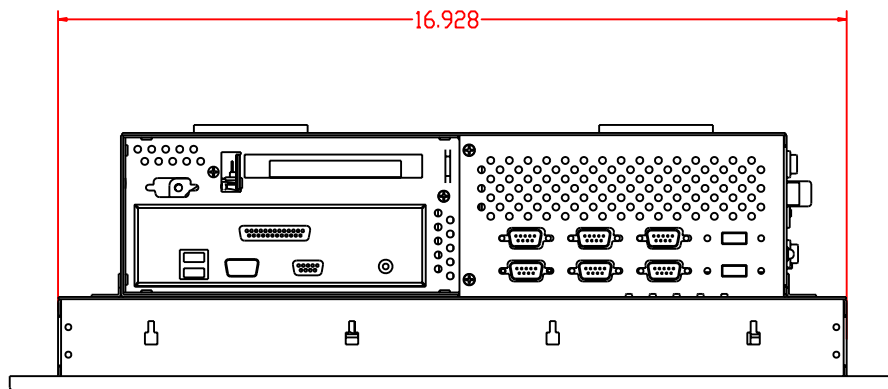


PARTS LIST			
ITEM	QTY	DESCRIPTION	FIG



## Function & Control Key Version



Cutout Dimensions: 17.00"(W) x 12.72"(H)

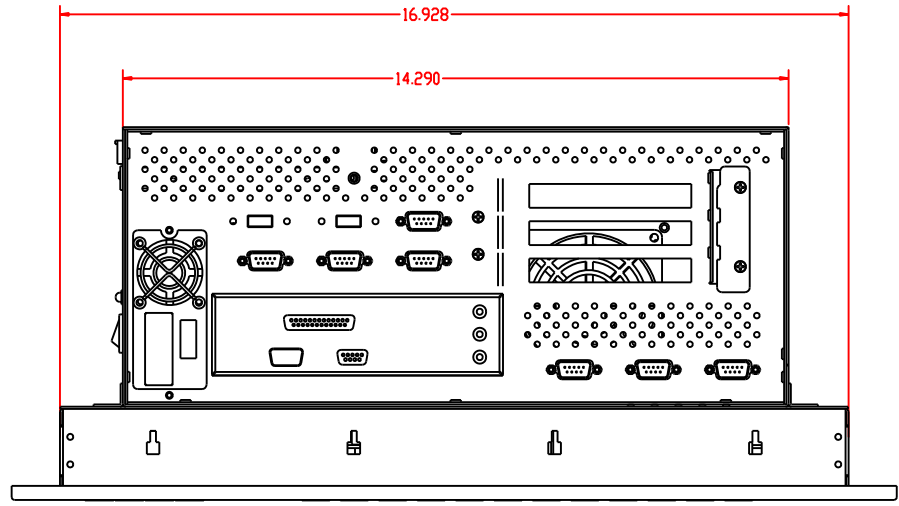
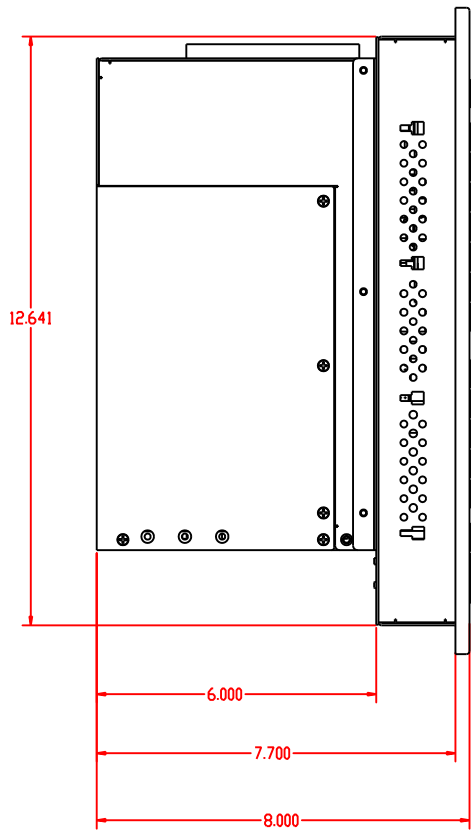
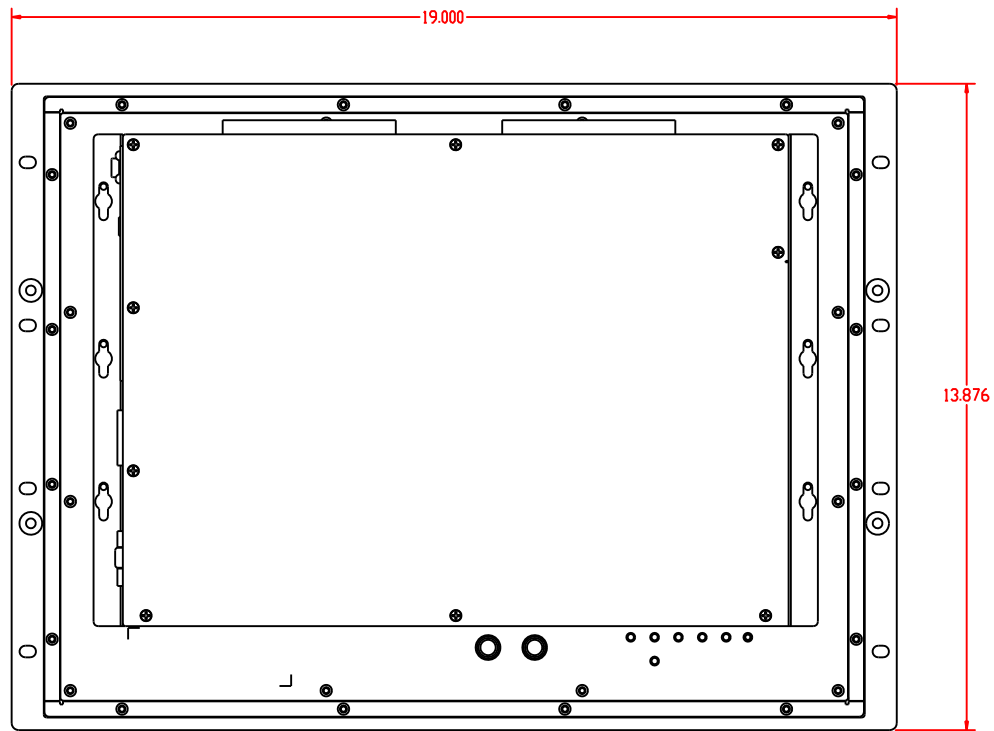
## Nortech Engineering FPC1500-FC Series - 15" Single Slot Version

REV	DESCRIPTION	DATE	APPROVED

DRAWN BY <b>ANGELA L</b>	CHECKED BY <b>W/RY</b>	TITLE <b>FPC1500-FC Series - 15" Single Slot Version</b>	PART NO. <b>AR06600AY-AR09650AY</b>	REV <b>01</b>

PARTS LIST			
ITEM	QTY	DESCRIPTION	FIG



Cutout Dimensions: 17.00"(W) x 12.72"(H)

# Nortech Engineering FPC1500-FC Series - 15" Triple Slot Version

## Function & Control Key Version

REV		DESCRIPTION		DATE		APPROVE	
A	BDVPC304 IS REV A			01/31/08	ANGELA L		

UNLESS OTHERWISE SPECIFIED DIMENSIONS ARE IN INCHES TOLERANCES UNLESS NOTED FRACTIONS 1/32" DECIMALS .015" HOLE DIA		TITLE	
BY: ANGELA L	CHK: M71707	DATE: FEB 08	DWG NO: AR06600AY-AR09600AY
DESIGN: C		SCALE: 1"=1"	REV: A
ISSUED:			